

FIG. NL-PB170W LEAD FREE 600 WOG FULL PORT BRASS BALL VALVE PEX*PEX WING HANDLE



Features:

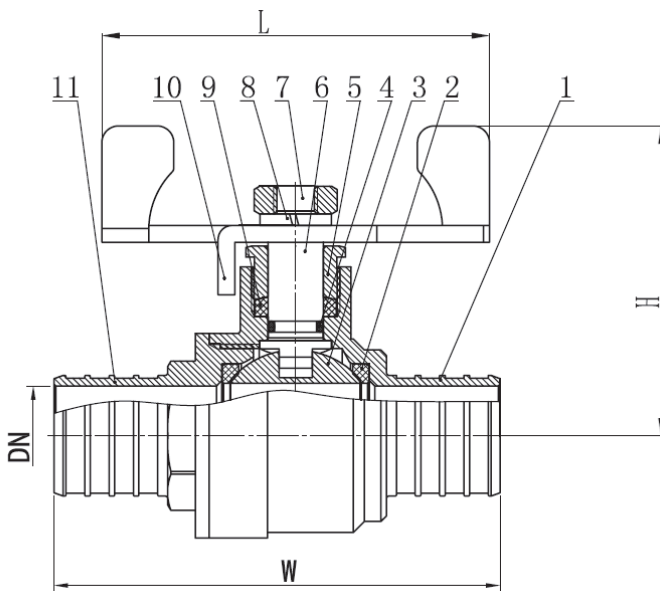
- Dezincification Resistant (DZR) Lead Free Brass Material
- PEX end Conform To ASTM F1807
- Forged Brass Body
- Blow Out Proof Stem Design
- Packing Nut, O-RING & Packing On The Stem Seal
- Stainless Steel Ball
- Handle With Vinyl Grip

Performance Rating

- 600 psi (WOG) 150 psi (WSP) Service
- Temperature Range : -20°F to 300°F

Material List:

NO.	Part Name	QTY	Material
1	Body	1	ASTM B283 C46400
2	Seat	2	PTFE
3	Ball	1	Stainless Steel
4	O-Ring	1	NBR
5	Packing Nut	1	Brass
6	Stem	1	Brass
7	Handle Nut	1	Plated Steel
8	Lock Washer	1	Plated Steel
9	Packing	1	PTFE
10	Handle	1	Plated Steel
11	Cap	1	Lead Free Brass



Approvals:

CSA:	3/8" - 2" Per NSF/ANSI-61, NSF/ANSI-372 ,IGC-157
------	--



Dimensions: (inch)

SIZE	DN	L	H	W	Cv
3/8"	0.229	3.46	1.64	2.40	2.77
1/2"	0.354	3.46	1.64	2.44	2.67
3/4"	0.531	3.46	1.81	2.58	15.02
1"	0.713	4.29	2.09	3.17	27.01